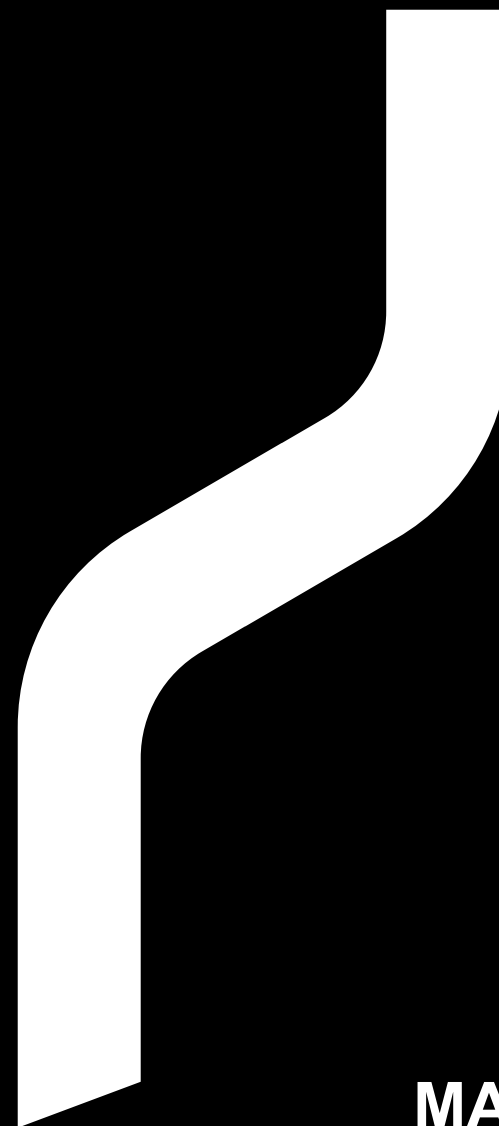


IMRITA
WHOLE HOUSE WATER FILTRATION SYSTEM



SHENZHEN IMRITA TECHNOLOGY CO., LTD
ADD: 301,302,401,402,501,502, Building B4a, Yingzhan
Industrial Park, Longtian Community, Kengzi Subdistrict,
Pingshan New District, Shenzhen.
Tel: +86-0755-8966-9886 | Web: www.imrita.com

MADE IN CHINA

MANUAL
IMT-RS7/RS8

THANKS

Thanks very much for choosing IMRITA brand, and be the user of IMRITA.

Before the machine installation, we suggest you to read this manual carefully.

If you have any questions during use, please read this manual carefully or contact us directly.

Email: export10@imrita.com

Tel: +86 0755 89669886

Fax: +86 0755 8966 9907

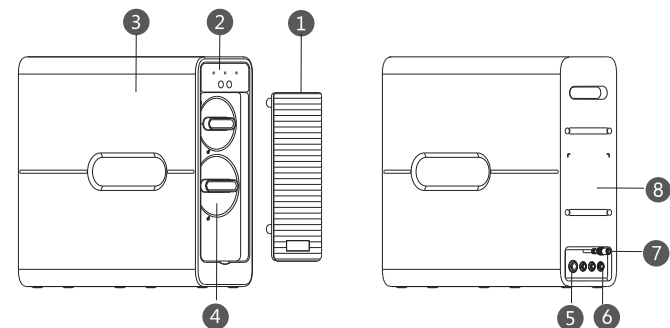
Your valuable comments on our products and services are most welcome.

TABLE OF CONTENTS

The principle of performance	1
Structure diagrams	1
Function & Feature	1
Pipeline installing Diagrams	2
Electrical Diagrams	2
Product Parameters	3
Introduction of Filter Cartridge	3
Period Of Filter Cartridge Replacement	4
Installation	4
Installation Notice	4
Installation Steps	5
How to use	6
Functions	6
Filter Replacement	7
Maintenance	8
Malfunctions and handling	10
Packing list	11

THE PRINCIPLE OF PERFORMANCE

Structure Diagrams



- ① Front Panel ② Electric Control Area ③ Side Panel ④ Filter Cartridge
 ⑤ Inlet ⑥ Outlet ⑦ Power Line ⑧ Main Frame

Function & Feature

Pure water with sweet taste.

---Reverse osmosis membrane filtration technology, high filtration accuracy up to 0.0001 micron,removes the scale, sediment, rust, colloid, bacteria and other harmful substances in water.

---Deep adsorption activated carbon that can remove the organic compounds and chlorine in water.

Large flow with tank-less design,filtration while drinking, taste more better.

--- Large water flow to avoid second pollution.

Ultra quiet design,free from noise.

---Mute structure to avoid noise;

LED indicator to show the service life of filter cartridge.

---LED indicator to check the working status at any time.

Integrated waterway to avoid any water leakage

---Integrated waterway design to avoid leakage risks.

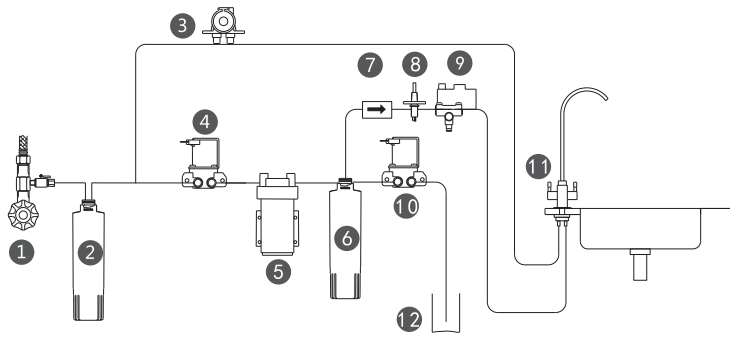
--- Auto water cut off when replace the filter cartridge

Integrated filter cartridge for easy replacement

---Quick connect integrated filter cartridge,simple and fast.

---Filter cartridge self-locking structure, the lock will be more and more tight under water

Pipline installing Diagrams



- ① Angle Valve ② PP+C filter cartridge ③ flow meter ④ Inlet solenoid valve
- ⑤ Booster pump ⑥ RO membrane ⑦ Check Valve ⑧ TDS prob
- ⑨ High voltage switch ⑩ Sewage solenoid valve ⑪ Purified water faucet ⑫ Floor drain

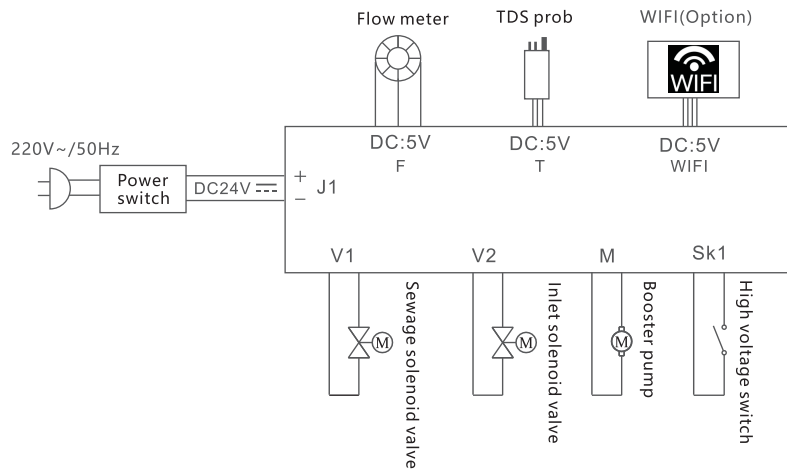
Product Parameters

Product name: IMT-RS8 Reverse Osmosis Water Purifier	
Item No.: IMT-RS8	Pure Flow Rate: 2.1L/min
Rated total Pure water: 6000L	Rated Power: 120W

General Product Parameters

Filtration Technology: Municipal Tap Water--Sintered activated carbon--Ro membrane--outlet	
Filtration Accuracy: 0.0001μm	Inlet Pressure: 0.1-0.4MPa
Voltage/Frequency: 220V~/50Hz	Anti Electric Shock Type: III
Item size: 440x140x402(mm)	Application: Municipal Tap Water
Inlet temperature: 5°C~38°C	

Electrical diagrams



Introduction of filter cartridge

Filter Type	PP+C	Ro Membrane
Filtration Accuracy	5~10 μm	0.0001μm
Material	PP+C	PA
QTY	1pcs	1pcs
Function	Remove sediment, rust, colloidal suspension, etc., remove residual chlorine at the same time, and improve the taste of heterochromatic odor	Remove scale bacteria heavy metal ions and other harmful substances

Period Of Filter Cartridge Replacement

Filter Type	PPC filter	RO Membrane
Suggest to replacement	6-12months	12-24months

1,The period of replacement is recommended. Please replace the filter cartridge according to the local water quality.

2,Please replace the filter cartridge when have the following situation:

1) The outlet water quality becomes worse or the water flow decreases,also the filter cartridge clogging.

2) LED indicator remind to replace the filter cartridge when the filter cartridge expires.

3,When the water purifier is installed under the following water conditions, the replacement of the filter cartridge may be more frequent. It is suggested to add pre treatment scheme:

1) The source water is surface water source,like some local small rivers,etc.

2) In the third and fourth level markets, the source water maybe not disinfected or sterilized, such as collective water supply in villages.

3) The source water is shallow groundwater,such as rural well water.

4) The source water comes from the water tower,such as some open air water tower in newly built community

INSTALLATION

Installation Notice

1, Please check whether the package of the water purifier is in good condition,also check whether the parts of the water purifier system are complete according to the packing list.

2,To determine the installation location

1) Please check the distance from the installation position to the power switch which should match the length of the power line.

2) Please check the surface or floor has sufficient conditions to support the weight of the water purification system.

3) Please check whether it has the good drainage facilities near the installation site.

3,Please install the pressure reducing valve before the system When the inlet pressure is higher than 0.4mpa.

4,Suggest to install an UF water purifier to prolong the service life of PPC and RO membrane.

5,Do not install the water purifier in the open air where the temperature is too high or too low, so as to affect the purification effect of the filter cartridge or damage the water purifier.

6,Installation tools: adjustable wrench,special wrench,etc.

7,Installation accessories: PE tubing,etc

Installation Steps

1,Turn off the inlet: make sure the water source inlet has been turned off.

2, Install the water faucet:

Fix the faucet to the reserved hole on the sink, if there is no suitable hole in the sink, you can open a hole 2.5cm away from the sink, the hole size is 30mm, and then fix the water purification faucet on the table, and then install the 1/4" PE tubing joint.

3,Pipeline connection.

1) Remove the plug of water inlet, pure water inlet, deep water purification outlet and thick water outlet of water purification system

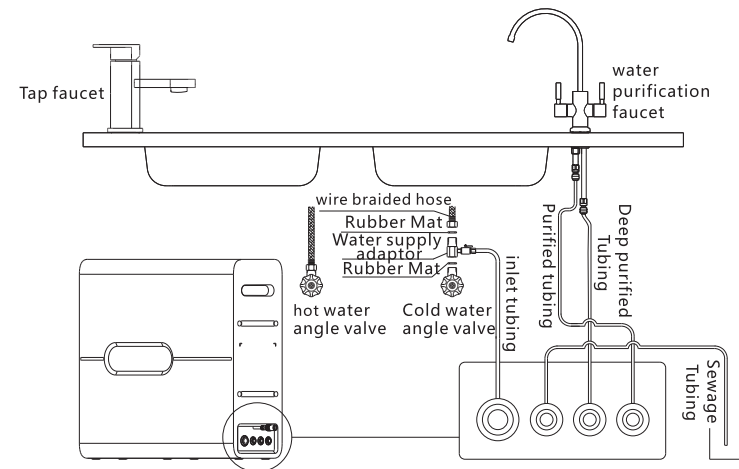
2) Install the water supply adaptor, connect the adaptor with cold water angle valve or faucet and other water source, ensure reliable connection, no leakage, the other end of 3/8' PE tubing is connected to the inlet and outlet of the machine.

3) Take 1/4" PE tubing, connect one end to the water purification interface of the water purification faucet, and connect the other end to the water purification port of the water purification system

4) Take 1/4" PE tubing, one end of which is connected to the deep water purification interface of the water purification faucet, and the other end is connected to the deep water purification port of the water purification system

5) Take 1/4" PE tubing, connect one section to the sewage water outlet of the water purification system, and connect the other end to the floor drain and secure it with a tie (shown as PIC1)

Notice : Install ultrafiltration water purification system before water purification system, can prolong the service life of PPC filter and RO filter cartridge



Pic.1: diagram of pipeline connection and installation

4.Rinsing

Check whether all the pipeline connection is correct after installation. Please flush the machine before first use according to the following steps;

- 1) Purified water flushing: turn on the outlet water faucet, connect with the power supply, the water purifier will flush automatically; It will come into water production status after flushing, and will last along about 20 minutes for water production,then drains out.
- 2) In order to make the drinking water taste better, after the automatic rinsing of the first using machine is completed, it is recommended to flush the machine manually several times to fully ensure the taste. The steps are as follows:
 1. Turn off the outlet water faucet, the machine in standby mode, press&hold " SET" 3 seconds to start manual flush,continuous flushing more than 10 times;
 2. Turn on the outlet water faucet for water production 20 minutes, then drains out.
 3. Turn off the outlet water faucet, rinse again the machine after 12 hours.
 4. Turn on the outlet water faucet for water production 20 minutes, then drains out. Repeat the above operation for more than 4 times.

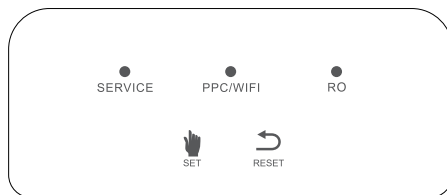
⚠ Notice:

In the following cases, it is recommended to rinse according to first using status of the machine.

- 1.The machine has been unused for more than 1 months.
- 2.The machine has been continuous used for more than 3 months
- 3.After filter cartridge replacement.

HOW TO USE

Fuctions



Pic.2

1, Rinse function:

After the power is switched on, the machine enters the initial state, the blue light of filter life indicator is on, the "SERVICE" indicator is slow flashing, the machine enters the automatic flushing state ; After 180seconds, it will enter into the corresponding working state. If there is no operation within 15 seconds, the indicator will automatically light off. "SERVICE" indicator is for water production and maintenance.

2,Water production, standby function:

After flushing, turn on the deep water purification faucet, the machine enters the state of water production, and the blue light of "SEVERICE" indicator is on; Turn off the faucet," SERVICE" indicator will light off, the machine enters into standby state; When the machine stop working, open the deep water faucet again, and the machine starts to enter into water production state;

3. Manual flushing function:

Under the condition that the machine does not produce water, long press the "SET" key for 3 seconds, and the machine will start manual washing. Under the condition of flushing, lightly touch the "SET" key again to stop flushing immediately. When in water production state, long press is invalid;

4. Maintenance function:

When the system detects that there is no standby when the booster pump working for 6 hours continuously, the system enters the maintenance state, and the "SERVICE" indicator will quick flash;

5. WIFI function (Optional):

Short press the "SET" key to switch the "PPC(blue)/WIFI(red)", and the "PPC/WIFI" indicator flashes red, it is ready for connection; If it is steady on that represents successful connection; Off indicates no WIFI connection. Users connected to WIFI can check the water quality and filter element life through the APP; At the same time, can manually wash and reset the filter element when its life expires through the mobile phone. Meanwhile, press the "SET" + "RESET" key for more than 3 seconds to activate WIFI;

Filter Replacement

1.Filter cartridge reminder

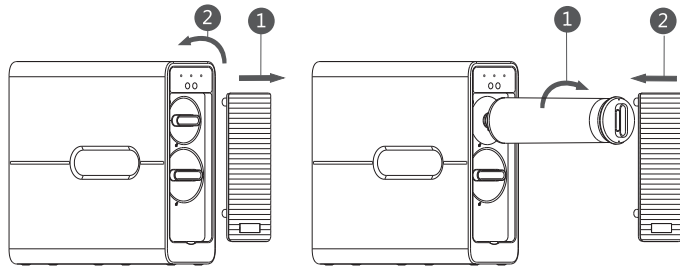
When the water production volume reaches the rated total water production amount, the machine will automatically alarm to remind the replacement of the filter cartridge, and the blue light will automatically light up and flash. At this time, the expired filter cartridge should be replaced in time.

In order to ensure that users can use qualified and assured water quality, It use with flow and time for dual monitoring to remind filter replacement, rated flow used up or filter service life expired, will remind the alarm;

2.replacement method

- 1)Turn off the tap water,and turn on the outlet faucet, long press "SET" for 3 seconds to start manual flush for decompression.
- 2)Turn on the deep purified water faucet, disconnect the power supply.
- 3)Take down the front panel, rotate the filter cartridge 90 degrees counterclockwise,take out the filter element(as shown in pic.3).
- 4)Put the new filter cartridge into the right position, rotate it 90 degrees clockwise till it is tightened(as shown in pic.4).
- 5) Connect with the power supply, resin the machine according to above steps.

Warmly Tips: Please put the filter cartridge into the right position when replacement; Otherwise it may cause the machine could not work normally, or even damage the machine.



Pic.3

Pic.4

3, Filter cartridge reset

1) Expired filter cartridge reset

Press "RESET" above 3 seconds, the machine automatically resets the filter cartridge which need to be replaced. The reset is successful until the Letters is with full circle and stops flashing; If two or more filters need to be "RESET" at the same time, press the "RESET" button for more than 3 seconds.

2) Forcibly reset the unexpired filter cartridge

Press "SET" more than 3 seconds to switch to the specified filter cartridge to be forcibly "RESET"; Press "RESET" again for 3 seconds until the specified filter cartridge is "RESET".

Remarks: The buzzer will beep for 3 seconds when the filter cartridge is successfully "RESET" Routine Maintenance.

MAINTENANCE

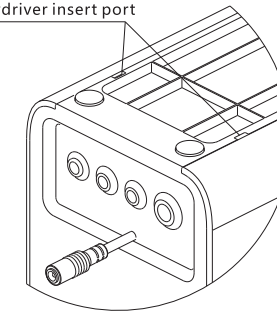
- 1, Non-professional technical personnel please do not disassemble the machine without authorization.
- 2, Do not put the machine into the water or other liquids to avoid any damage of the machine.
- 3, After water or pipeline maintenance, it is necessary to discharge the sediment from other pipelines, otherwise a large amount of sediment may lead to filter cartridge block, and reduce the service life;
- 4, Please cut off the power supply and turn off the tap water when the machine stop using for a long time.
- 5, Please turn on the outlet water faucet for water production 10 minutes after stop using for a long time.
- 6, Do not use thinner, alcohol and others for cleaning, otherwise it may cause discoloration, deformation, etc.
- 7, Please check regularly whether there is water flowing out of the sewage port and whether the water flowing into the sewer is smooth when the machine is working.

- 8, Please replace the filter cartridge according to its service life and the local water quality.
- 9, If the machine fails to work during using, please immediately close the inlet angle valve and power supply, check "Malfunctions and Handling", If the fault is not solved, please contact with the retailer or IMRITA.

10, Maintenance method

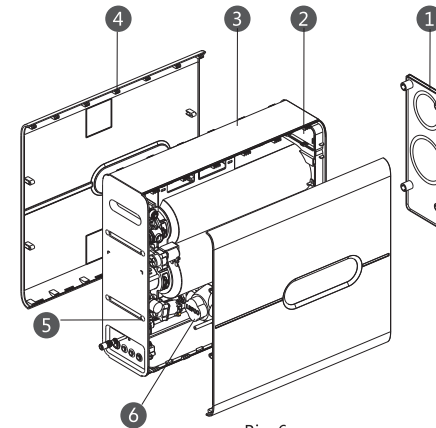
- 1) To replace and repair the inlet solenoid valve, concentrated water solenoid valve, flow meter, check valve, high pressure switch, TDS probe, integrated waterway plate and electric control board, first remove the front cover, twist the 4 screws on the front and back of the filter element support, insert the flat-head screwdriver into the square hole at the bottom, pry open the side cover outwards and remove it (as shown in pic 5).

Flat-head screwdriver insert port



Pic. 5

- 2) Pump maintenance: It is necessary to remove the side panel first, remove the 1/4" PE tubing connected between the pump inlet and outlet from the integrated waterway, and then remove the E-type clip spring fixing the pump on the filter element support (as shown in figure 6)



Pic. 6

- | | | |
|---------------|------------------------|--------------|
| ① front panel | ② electric control box | ③ main frame |
| ④ side panel | ⑤ screw | ⑥ pump |

MALFUNCTIONS AND HANDLING

The following table is a list of possible malfunctions and their causes, please refer to their general troubleshooting methods.

Malfunction	Troubleshooting	Handling
Deep purified water does not come out	water supply adaptor turned off	Turn on the water supply adaptor
	the filter cartridges are not in the right position	Put the filter cartridge into the right position
	loosening of mainboard wiring	Replug the mainboard wiring
	The high voltage switch is malfunctioning and cannot be reset	Replace the high voltage switch
	The booster pump is burnt out and cannot be started	Replace the booster pump
	The mainboard was burnt out by overflow	Replace the mainboard
Less purified water runs from the faucet	PE tubing bent or twisted	Do not bent or twisted the tubing
	Water temperature drops below 4°C (in winter)	It is normal phenomenon
	Tank valved is not turned on	Turn on the tank valve
	The filter cartridges have exceeded its service life	Replace the filter cartridge
Sewage does not drain out when in water production status	PE tubing for sewage bent or twisted	Do not bent or twisted the tubing
	Sewage solenoid valve is clogging	Replace the solenoid valve
	The filter cartridges have exceeded its service life	Replace the filter cartridge
large sewage flow drains out when in water production status	Sewage solenoid valve is broken	Replace the solenoid valve
	PCB board damaged leads to the short circuit of solenoid valve	Replace the PCB board
the sewage drained out all the time when system in stanby mode	Inlet solenoid valve is broken	Replace the inlet solenoid valve
	PCB board damaged leads to the short circuit of solenoid valve	Replace the PCB board
There is some off odor in purified water	The system has not been used for a long time	Flush the system or replace the filter cartridge
	The filter cartridges have exceeded its service life	Replace the filter cartridge

Malfunction	Troubleshooting	Handling
The water purifier starts water production repeatedly	The high voltage switch is malfunctioning	Replace the high voltage switch
	Check valve could not be closed when pressure releasing	Replace the check valve
	PCB board damaged	Replace the PCB board
The water purifier does not stop, and the water is continuously produced when purified water faucet closed	The high voltage switch is malfunctioning	Replace the high voltage switch
	The filter cartridge is clogging or water supply cut off	Replace the filter cartridge or check the water supply
	The purified water faucet or feed water line are leaking	Replace the faucet or feedwater line
	The pressure of the booster pump is insufficient	Replace the booster pump
	PCB board damaged	Replace the PCB board
	PCB board damaged	Replace the PCB board
"SERVICE" indicator is flashing	PCB board damaged	Replace the PCB board
	The purified water faucet is leaked or excessive water	Replace the faucet and restart the system

PACKING LIST

Water purification system	Purified faucet
Water supply adaptor	1/4 " PE tubing
3/8" PE tubing	Quick Plug spanner
power adapter	Manual