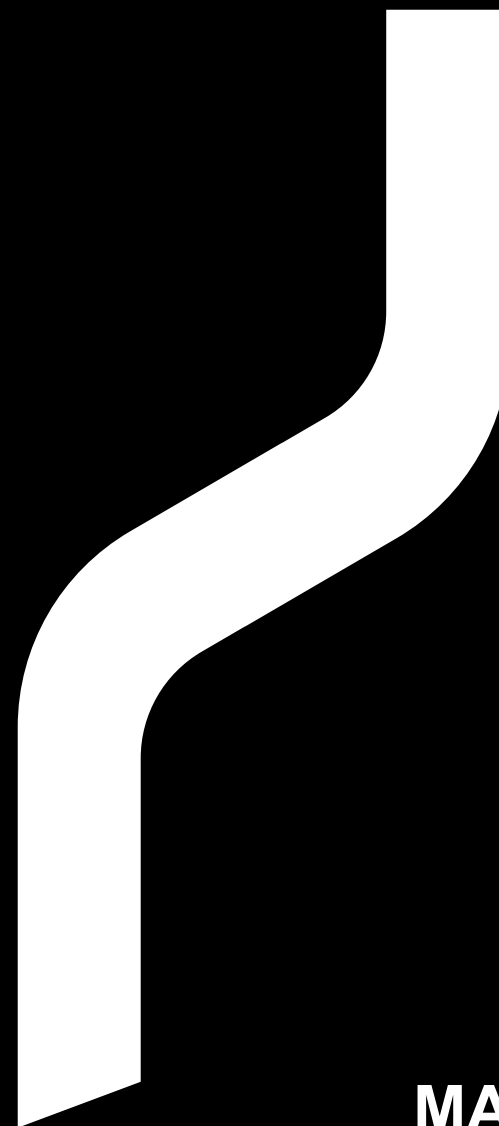


IMRITA
WHOLE HOUSE WATER FILTRATION SYSTEM



MANUAL
IMT-M6

SHENZHEN IMRITA TECHNOLOGY CO., LTD
ADD: 301,302,401,402,501,502, Building B4a, Yingzhan
Industrial Park, Longtian Community, Kengzi Subdistrict,
Pingshan New District, Shenzhen.
Tel: +86-0755-8966-9886 | Web: www.imrita.com

MADE IN CHINA

THANKS

Thanks very much for choosing IMRITA brand, and be the user of IMRITA.

Before the machine installation, we suggest you to read this manual carefully.

If you have any questions during use, please read this manual carefully or contact us directly.

Email: export10@imrita.com

Tel: +86 0755 89669886

Fax: +86 0755 8966 9907

Your valuable comments on our products and services are most welcome.

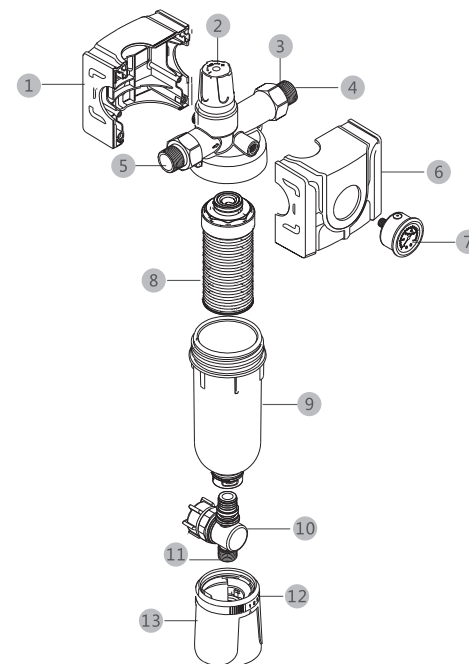
TABLE OF CONTENTS

The principle of performance	1
Structure diagrams.....	1
Function & feature.....	1
Product parameter.....	2
Introduction of filter cartridge.....	3
Life service for filter cartridge.....	3
Water production principle.....	3
Flush principle.....	4
Installation	4
Installation notice.....	4
Installation steps.....	5
Usage & maintenance	7
Notice.....	7
Method.....	7
Malfunctions and Handling.....	9
Packing list	9

THE PRINCIPLE OF PERFORMANCE

Structure Diagrams

- 1 Back Cover
- 2 Pressure Regulator Valve
- 3 G 1/2, G 3/4" connector
- 4 Inlet
- 5 Outlet
- 6 Front cover
- 7 Pressure Gauge
- 8 Stainless Steel Strainer
- 9 Transparent Housing
- 10 Flush valve
- 11 Flush Port
- 12 Memory dial
- 13 Splash proof cover



Function & Feature



Intelligent pre filter system (hereinafter referred to as pre filter) is a filter with the function of reducing dynamic pressure and maintaining static pressure. The factory default has been set, and the actual pressure can be visually displayed from the pressure gauge. When the water pressure exceeds the safety value, it can reduce the high water pressure and adjust the instantaneous water pressure wave by adjusting the knob of the pressure stabilizer valve. When

stop using water, the static pressure value behind the valve rises instantly, it can automatically control the water pressure not to exceed 0.4mpa to achieve the purpose of safe pressure control and avoid the risk of water leakage caused by water hammer. It is very practical for those with high water pressure and unstable water pressure.

Patented pre filter

The vortex filter structure is cleaned thoroughly.

Precisely water pressure controlling

Through the pressure regulator valve can precisely control the water pressure, pressure reduction, pressure stabilization, high pressure protection function;

Pilot-operated pressure stabilization structure, precisely pressure control, to solve the problem of the failure of diaphragm type pressure regulator due to diaphragm rupture.

Long service life

Large area of strainer filtration, long service life, not easy to be blocked.

Outlet water pressure monitoring

The pressure gauge is used to monitor the water pressure

Clear at a glance when using

Transparent filter housing to view the filtration process more clear.

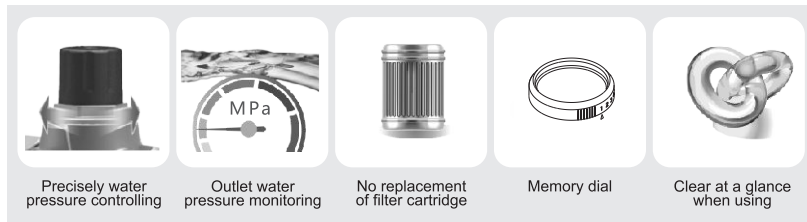
Pilot operated pressure stabilization structure

The structure can protect the transparent housing effectively.

Splash proof flush memory dial

Splash proof design, with flush memory dial.

Pre filter system



Product Parameter

Product Name: Pre Filter	Item No.: IMT-M6
Filter type: Stainless Steel Strainer	Flow Rate: 6m ³ /h
Filtration Accuracy: 50μm	Inlet Pressure: 0.1-0.4MPa
Temperature: 5°C~38°C	Application: Municipal Tap Water
Product Size: 135x132x356(mm)	

Introduction of filter cartridge

Type	Specification	Material	Qty
SUS strainer	50μm	Stainless steel 316	1 pc

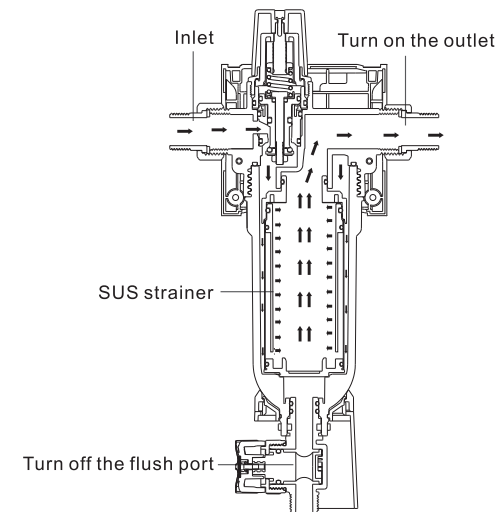
Life service for filter cartridge

With the long-term use of the water purification system, the water flow will gradually decline, please replace the filter cartridge regularly in order to ensure the water flow reaching the standard.

Type	Suggest to replace	Parts diagram
SUS strainer	5 years	

Water production principle

When the system in water production status, turn on the outlet, and turn off the flush port, the source water will first come to the outside of the strainer, then comes into its inside for filtration, to remove large particle impurities, and the filtered water will come out from the outlet. (As shown in Pic.1)

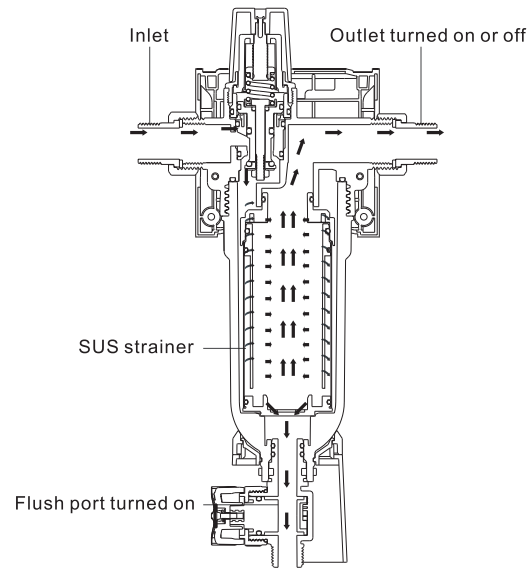


Pic.1 Water production principle

Flush principle

After using a period of M8 pre filter, the strainer had intercepted lots pollutants, if it didn't flush in time, it would be blocked also would cause second pollution.

Pre filter flush: The flush solenoid valve will automatically turn on according to the flushing cycle when flushing; the pollutants flow through the vortex mesh directly discharged from the flush port till the set time finished, and the flush solenoid valve turned off automatically; (As shown in Pic.2).



Pic.2 Flushing principle diagram

INSTALLATION

Installation notice

- 1, Installation should be finished by professional workers; Please check whether the pre filter's accessory are complete and the pre filter whether is normal.
- 2, The pre filter system is installed as close as possible to the floor drain so that the sewage pipe can reach into the drain.
- 3, Pre filter should not be installed outdoors, as far as possible away from ultraviolet light, heat, fuel and various chemicals, etc.
- 4, All the pipeline, joints, faucet which are related to water are comply with the national standard.
- 5, Please check it carefully after installation: whether there is any leakage in all the joints position and the value of pressure gauge.

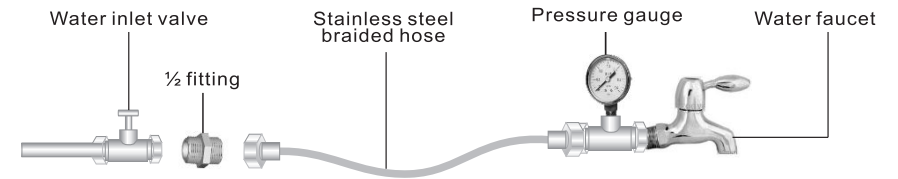
.4.

Installation steps

This product is used for household water filtration and is usually installed at the household total inlet (behind the water meter). The following installation instructions use PPR pipes as an example. If household water pipes are connected using metal hard pipes, add pipes based on actual conditions.

1, Inlet water pressure checking

Install a water inlet valve before the M6 pre filter, then check whether the inlet water pressure of tap water is between 0.1-0.4Mpa. (As shown in pic. 3)

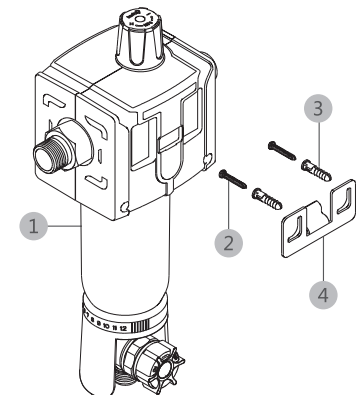


Pic. 3 Inlet water pressure checking

2, Pre filter fixing

- 1) Determining the installation position according to the products size (Reserve a distance of at least 300mm between the drainage connector and the ground. It is convenient to disassemble the transparent housing and clean the strainer, and it is more conducive to sewage discharge.), drill two holes on the wall using a hammer drill ($\phi 6$ drill bit), insert expansion pins into the wall and knock them flat.
- 2) Align the mounting plate screw hole with the expansion pin hole, use two self-tapping screws to screw into the expansion pin hole through the mounting plate screw hole, fix the mounting plate on the wall, pay attention to screw in place.
- 3) The pre filter is fixed on the mounting plate (as shown in Pic.4).

- 1 M6 pre filter
- 2 Self-tapping screw
- 3 Expansion pin
- 4 Mounting plate

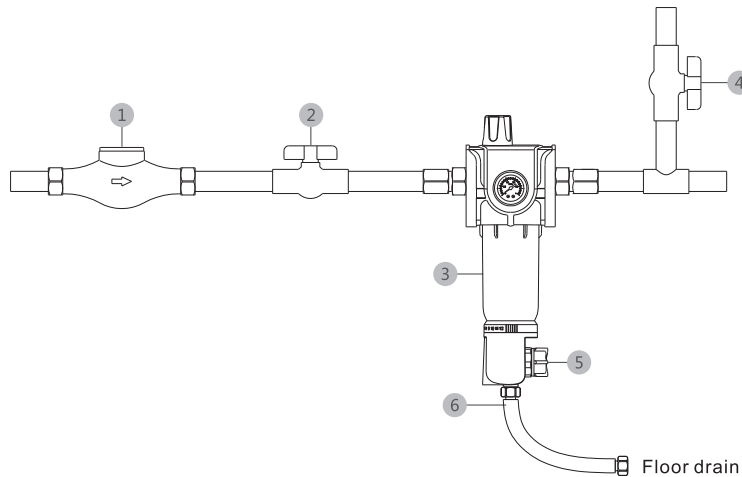


Pic. 4 diagram of pre filter fixing

.5.

3. Pipeline installation

- 1) Turn off the total water inlet valve, and turn on the outlet to discharge the remaining water in system.
- 2) Connect one end of PPR pipe with the total water inlet valve by welding; Insert the random 1/2" or 3/8" inch outer connector into the 1 inch nut, connect the other end of the PPR pipe to the 1/2" or 3/8" inch outer connector, place the 1 inch gasket, and screw the 1 inch nut into the inlet of the pre filter.
- 3) Welding the one end of PPR pipe with branch water valve; Insert the random 1/2" or 3/8" inch outer connector into the 1 inch nut, connect the other end of the PPR pipe to the 1/2" or 3/8" inch outer connector, place the 1 inch gasket, and screw the 1 inch nut into the outlet of the pre filter.
- 4) Connect the stainless steel braided hose with the flush port.
- 5) Turn on the total water inlet valve slowly, the source water will flow to all the equipment through the pre filter; Turn on the household equipment outlet valve, water flows out and then turn off all the outlet. Pay attention to the press gauge and other joints connection where have any leakage. Suggest to produce water for 10 minutes to check there is any leakage after installation. (As shown in Pic.5)



- | | | |
|----------------------|---------------------------|--------------------------------|
| 1 Water meter | 2 Total water inlet valve | 3 Pre filter |
| 4 Branch water valve | 5 Flush valve | 6 Stainless steel braided hose |

Pic. 5 pipeline installation diagram

USAGE & MAINTENANCE

Notice

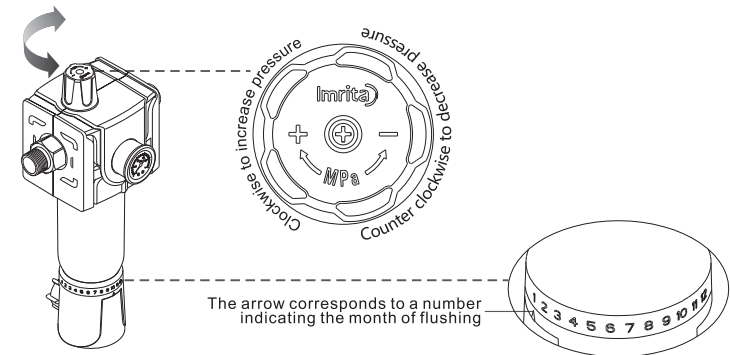
- 1, This product is suitable for municipal tap water. It is strictly prohibited to be used in freezing or water temperature higher than 38°C.
- 2, It is recommended to manually test the flushing function of the strainer once a month to check whether the flushing function is normal.
- 3, In the normal cleaning and maintenance process, pay attention to protect the integrity of each part (maintenance service must use the original parts).

Method

- 1, Turn on the total water inlet valve after installation, the pre filter began to work properly and can view the water pressure, when the water pressure too low or too high, professional installation personnel adjusts pressure regulator valve to discharge pressure within the normal range (0.1-0.4 MPa). When the source water pressure is too high or too low or when turns on the household faucet or other water equipment, the water pressure can be adjusted by adjusting the pressure regulator valve of the pre filter. Turn on the flush valve for flushing then turn it off. The pressure gauge shows the current water pressure. Clockwise rotate the pressure regulator valve to increase the outlet water pressure, counter clockwise rotate the pressure regulator valve to decrease the outlet water pressure. (As shown in Pic. 7)

Note: Do not adjust the water pressure as the factory default value is reasonable set.

- 2, The impurities can be directly seen through the transparent housing after using a period time; Turn on the flush valve for flushing 15-30 seconds, then turn it off, and dial the number on the memory dial for flush record after flushing (number from 1-12 indicating the month respectively). Flushing once a month is recommended. (As shown in pic. 6)



Pic.6 pressure regulator valve adjustment & memory dial diagram

3,When the strainer accumulated some sticky substances or particles or it has been used for half a year, and cannot be washed clean after normal flushing,also the water output and outlet pressure of household water equipment are affected,then the strainer could be take out and cleaned it with cleaning liquid and brush(as shown in Pic.7)

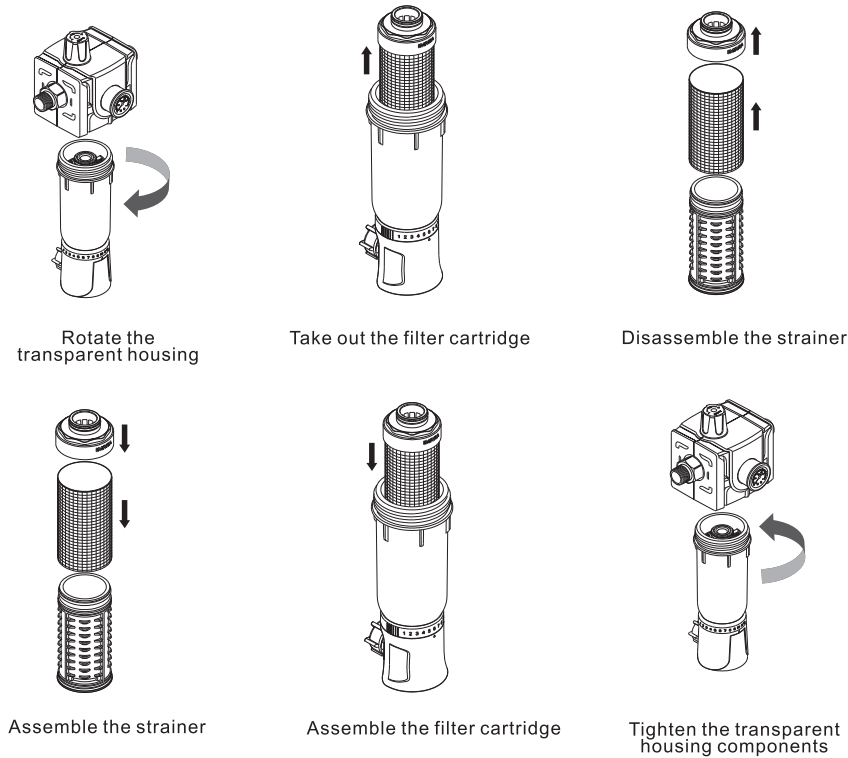
Note: Do not use strong acid or strong alkaline when cleaning.

1) Take off the transparent housing components and take out the strainer,then rotate the bottom fixed end cap out,disassembled each vortex mesh of the strainer,clean and remove the impurities attached to the strainer with a brush.

2) Assemble all the vortex mesh of the strainer after cleaning,and fixed each vortex mesh on the strainer's shaft. Tighten and fixed it on the end cap.

3) Put the filter cartridge into the housing, and assemble the pre filter. Flushing finished.

Suggestion: Turn on the water inlet valve for more than 3 minutes to check whether there is any leakage.



Pic. 7 strainer cleaning&assembling diagram

Malfunctions and Handling

The following table is a list of possible malfunctions and their causes, please refer to their general troubleshooting methods.

Malfunction	Troubleshooting	Handling
Pressure values are not displayed	The pressure gauge is broken	Replace the pressure gauge
Deep purified water does not come out	Whether the source water is shut down	Wait to recover the source water
	Whether the water inlet valve is turned on	Turn on the water inlet valve
Less purified water runs from the faucet	Whether the total water inlet valve is turned on completely	Turn on the total water inlet valve completely
	Strainer is blocked	Cleaning the strainer
Leakage in the joint	The parts disassembled by self	Check whether the sealing ring falls off or is misplaced
	The parts in leakage position is loosen	Re tightened the parts
	The sealing ring in leakage position is aging or broken	Replace the sealing ring
Leakage in the joint of pressure gauge	The sealing spacer in pressure gauge is aging or broken	Replace the sealing spacer

PACKING LIST

Pre Filter	Screw Kit	G 1" Nut
G 3/4" Connector	Sealing spacer	Mounting Plate
Manual	Packing List	

